

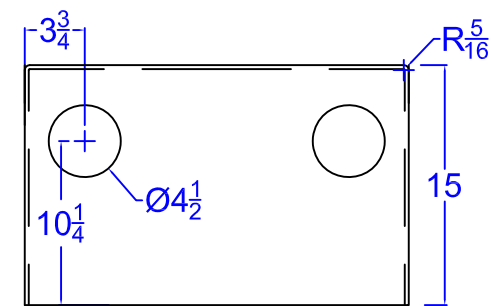
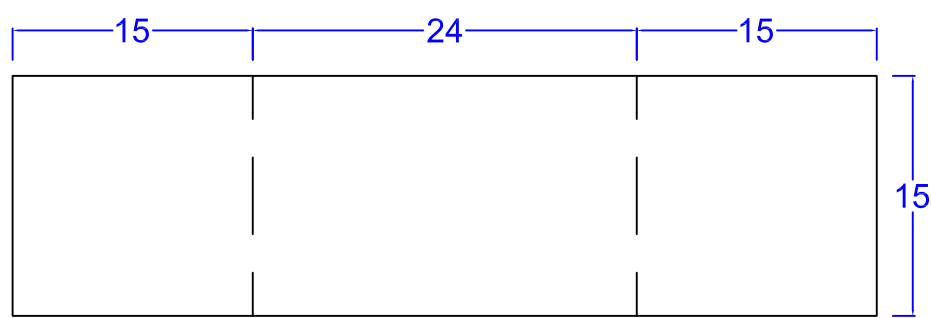
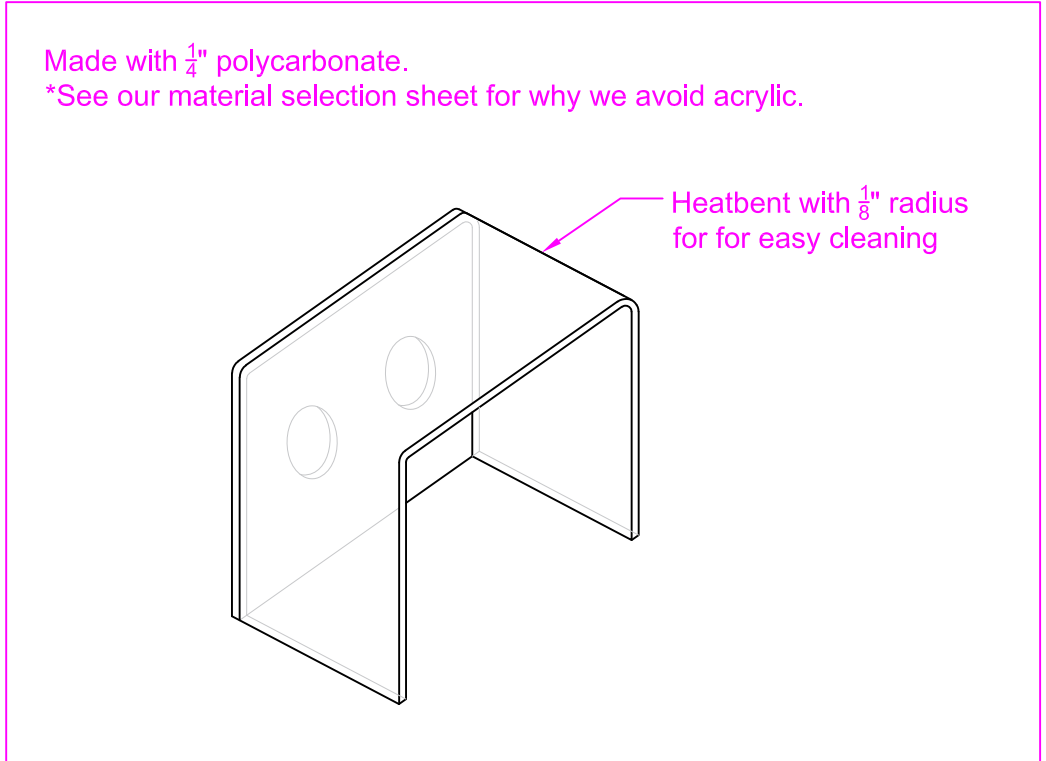
**"London Box"**  
**Intubation Shield Prototypes v1, v3, v4**  
This work, "London Box", is a derivative of "Aerosol Box" designed by Dr. Hsien Yung Lai, which is licensed under Creative Commons Attribution-NonCommercial 4.0 International License. <https://creativecommons.org/licenses/by-nc/4.0/>  
"London Box" is a NON FDA approved device.

**"London Box" Intubation Shield Prototypes**

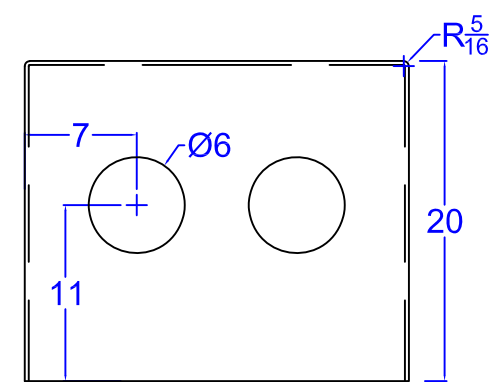
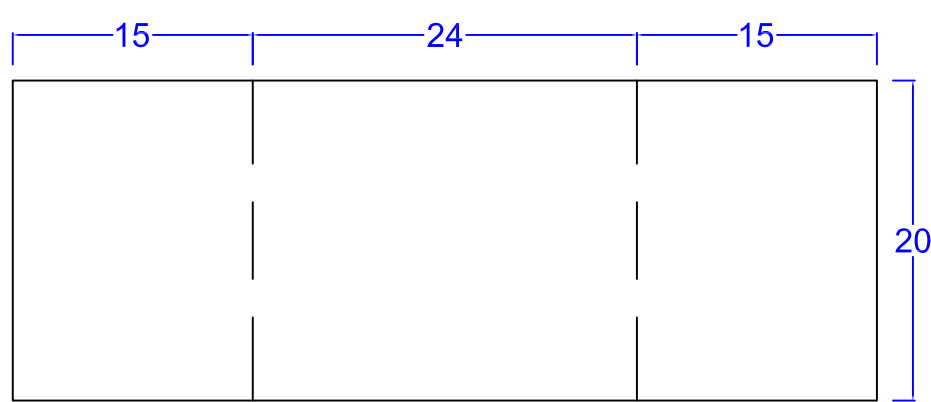
DATE: 3-29-2020  
DRAWN BY: AC  
SCALE: 1"=1'-0"  
SHEET:

**1.1**

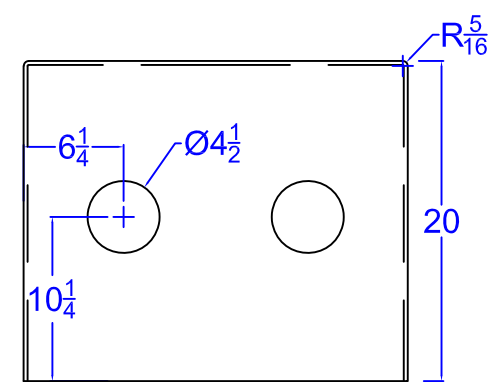
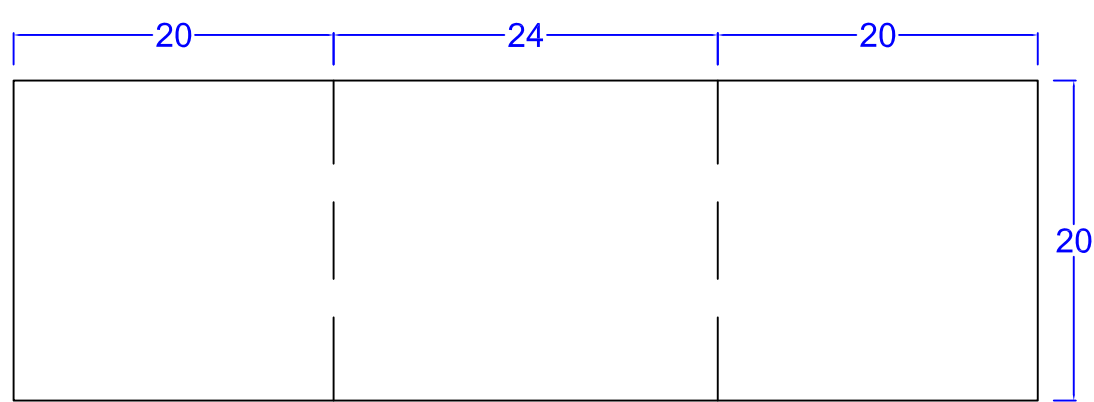
Copyright 2020 © Burgeon Group, LLC. All rights reserved



**a** BURGEON GROUP - PROTOTYPE v1  
1"=1'-0"



**b** BURGEON GROUP - PROTOTYPE v3  
1"=1'-0"



**c** BURGEON GROUP - PROTOTYPE v4  
1"=1'-0"